

OPERATIONS MANUAL

PCM-DC/DC

NOTE: *This manual has been designed and created for use as part of the WinSystems' Technical Manuals CD and/or the WinSystems' website. If this manual or any portion of the manual is downloaded, copied or emailed, the links to additional information (i.e. software, cable drawings) will be inoperable.*

WinSystems reserves the right to make changes in the circuitry and specifications at any time without notice.

©Copyright 1997 by WinSystems. All Rights Reserved.

REVISION HISTORY
P/N 403-0262-000

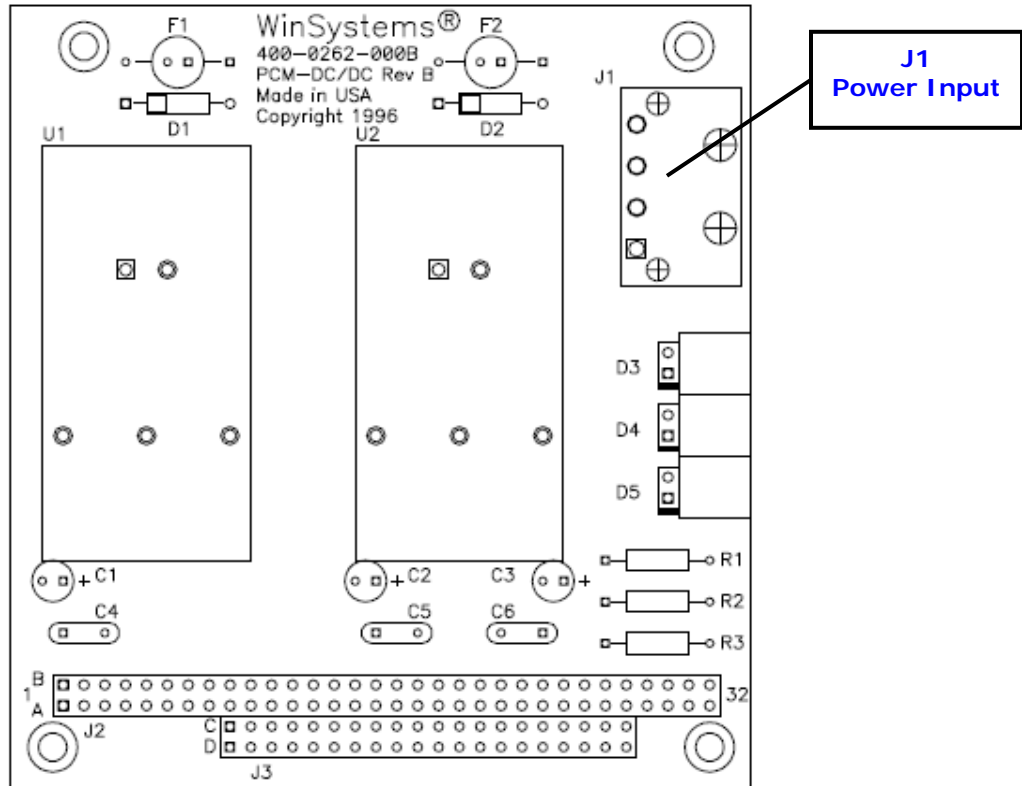
ECO Number	Date Code	Rev Level
ORIGINATED	970225	B
99-37	990322	B1

TABLE OF CONTENTS

Section	Paragraph Title	Page
	Visual Index – Quick Reference	
1	General Information	1
	Features	1
	General Information	1
	Specifications	2
2	PCM-DC/DC Technical Reference	3
	Introduction	3
	Power Input	3
	Power Output	3
	Status LEDs	3
APPENDIX A	PCM-DC/DC Schematic Diagram	
	Warranty and Repair Information	

Visual Index – Quick Reference

For the convenience of the user, a copy of the Visual Index has been provided with direct links to connector and jumper configuration data.



General Information

Features

- PC/104 Bus DC/DC power supply
- Wide input ranges for nominal 12V, 24V, and 48V inputs
- Input polarity reversal protection
- Fused input line
- Triple output voltages of +5, +12, and -12 volts
- Voltage status LEDs
- Output short circuit protection
- Wide operating temperature range

General Information

The PCM-DC/DC is available in a variety of models ranging from single 5 volt models to triple voltage output models including +12V and -12V. Each of these models provides input reverse polarity protection and fused inputs. The outputs are short circuit protected and provide full regulation with no minimum load requirement. The specifications regarding input voltage range, output voltages and currents, as well as noise and temperature ranges are included in the following section.

Specifications

Electrical

DC/DC Product Number	Input Voltage Range	Output Power			Temperature Range	Noise (P-P max ripple)
		+5VDC	+12VDC	-12VDC		
PCM-DC/DC-12-500	9V to 36VDC	2.0A	N/A	N/A	-40°C to +85°C	75mV
PCM-DC/DC-12-512	9V to 36VDC	2.0A	416ma	416ma	-40°C to +85°C	75mV
PCM-DC/DC-48-500	18V to 75VDC	2.0A	N/A	N/A	-40°C to +85°C	75mV
PCM-DC/DC-48-512	18V to 75VDC	2.0A	416ma	416ma	-40°C to +85°C	75mV
PCM-DC/DC-12-500-3	9V to 18VDC	3.0A	N/A	N/A	-25°C to +71°C	5V=100mV, 12V=75mV
PCM-DC/DC-12-512-3	9V to 18VDC	3.0A	416ma	416ma	-25°C to +71°C	5V=100mV, 12V=75mV
PCM-DC/DC-24-500-3	18V to 36VDC	3.0A	N/A	N/A	-25°C to +71°C	5V=100mV, 12V=75mV
PCM-DC/DC-24-512-3	18V to 36VDC	3.0A	416ma	416ma	-25°C to +71°C	5V=100mV, 12V=75mV
PCM-DC/DC-48-500-3	36V to 75VDC	3.0A	N/A	N/A	-40°C to +85°C	75mV
PCM-DC/DC-48-512-3	36V to 75VDC	3.0A	416ma	416ma	-40°C to +85°C	75mV
ADP-DC/DC-48-500-3	36V to 75VDC	3.0A	N/A	N/A	-40°C to +85°C	75mV
ADP-DC/DC-48-512-3	36V to 75VDC	3.0A	416ma	416ma	-40°C to +85°C	75mV

Mechanical

Dimensions : 3.6" X 3.8" X .06"
 PC Board : FR4 Epoxy Glass with 2 signal layers, plated through holes and screened component legend
 Connectors : Power Input, 4-pin AMP

Environmental

Operating Temperature : refer to Electrical Chart
 Vibration : 2.5G RMS 5Hz to 500Hz

PCM-DC/DC Technical Reference

Introduction

This manual is intended to provide the necessary information regarding configuration and usage of the PCM-DC/DC board. WinSystems maintains a Technical Support Group to help answer questions regarding usage, or programming of the board. For answers to questions not adequately addressed in this manual, contact Technical Support at (817) 274-7553 between 8AM and 5PM Central Time.

Power Input

Power is applied via the AMP connector at J1. The PCM-DC/DC supports a wide input voltage range as shown table located in the [Specification – Electrical](#) in this manual.

[back to
Visual Index](#)

J1	4 o	N/C
	3 o	GND
	2 o	GND
	1 o	INPUT

Power Output

Power is supplied to the PC/104 BUS connectors J2 and J3 per the following:

+5V to J2 @ B3 and B29
+5V to J3 @ D16

+12V to J2 @ B9 (PCM-DC/DC-XXX-512 only)
- 12V to J2 @ B7 (PCM-DC/DC-XXX-512 only)

GND to J2 @ B1, B10, B31, B32 and A32
GND to J3 @ C0, D0, D18 and D19

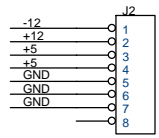
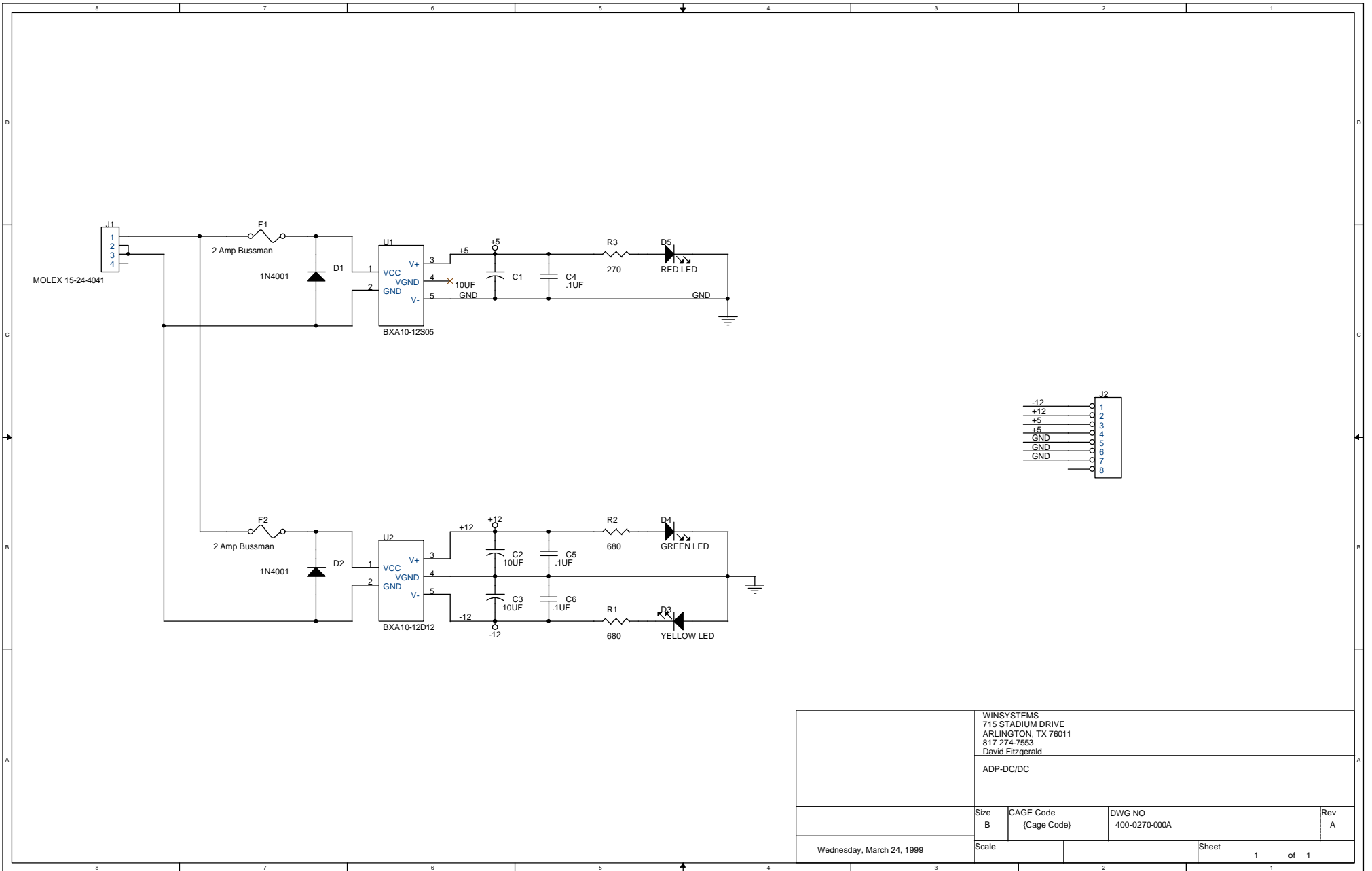
Status LEDs

Three status LEDs are present on the part to indicate the presences of the output voltages. The LED representations are:

RED	+5 volts
GREEN	+12 volts
YELLOW	- 12 volts

APPENDIX A

PCM-DC/DC Schematic Diagram



		WINSYSTEMS 715 STADIUM DRIVE ARLINGTON, TX 76011 817 274-7553 David Fitzgerald	
		ADP-DC/DC	
Size B	CAGE Code (Cage Code)	DWG NO 400-0270-000A	Rev A
Wednesday, March 24, 1999		Scale	Sheet 1 of 1

WARRANTY

WinSystems warrants that for a period of two (2) years from the date of shipment any Products and Software purchased or licensed hereunder which have been developed or manufactured by WinSystems shall be free of any material defects and shall perform substantially in accordance with WinSystems' specifications therefore. With respect to any Products or Software purchased or licensed hereunder which have been developed or manufactured by others, WinSystems shall transfer and assign to Customer any warranty of such manufacturer or developer held by WinSystems, provided that the warranty, if any, may be assigned. The sole obligation of WinSystems for any breach of warranty contained herein shall be, at its option, either (i) to repair or replace at its expense any materially defective Products or Software, or (ii) to take back such Products and Software and refund the Customer the purchase price and any license fees paid for the same. Customer shall pay all freight, duty, broker's fees, insurance changes and other fees and charges for the return of any Products or Software to WinSystems under this warranty. WinSystems shall pay freight and insurance charges for any repaired or replaced Products or Software thereafter delivered to Customer within the United States. All fees and costs for shipment outside of the United States shall be paid by Customer. The foregoing warranty shall not apply to any Products or Software which have been subject to abuse, misuse, vandalism, accidents, alteration, neglect, unauthorized repair or improper installations.

THERE ARE NO WARRANTIES BY WINSYSTEMS EXCEPT AS STATED HEREIN. THERE ARE NO OTHER WARRANTIES EXPRESS OR IMPLIED INCLUDING, BUT NOT LIMITED TO, THE IMPLIED WARRANTIES OF MERCHANTABILITY AND FITNESS FOR A PARTICULAR PURPOSE, IN NO EVENT SHALL WINSYSTEMS BE LIABLE FOR CONSEQUENTIAL, INCIDENTAL, OR SPECIAL DAMAGES INCLUDING, BUT NOT LIMITED TO, DAMAGES FOR LOSS OF DATA, PROFITS OR GOODWILL. WINSYSTEMS' MAXIMUM LIABILITY FOR ANY BREACH OF THIS AGREEMENT OR OTHER CLAIM RELATED TO ANY PRODUCTS, SOFTWARE, OR THE SUBJECT MATTER HEREOF, SHALL NOT EXCEED THE PURCHASE PRICE OR LICENSE FEE PAID BY CUSTOMER TO WINSYSTEMS FOR THE PRODUCTS OR SOFTWARE OR PORTION THEREOF TO WHICH SUCH BREACH OR CLAIM PERTAINS.

WARRANTY SERVICE

All products returned to WinSystems must be assigned a Return Material Authorization (RMA) number. To obtain this number, please call or FAX WinSystems' factory in Arlington, Texas and provide the following information:

1. Description and quantity of the product(s) to be returned including its serial number.
2. Reason for the return.
3. Invoice number and date of purchase (if available), and original purchase order number.
4. Name, address, telephone and FAX number of the person making the request.
5. Do not debit WinSystems for the repair. WinSystems does not authorize debits.

After the RMA number is issued, please return the products promptly. Make sure the RMA number is visible on the outside of the shipping package.

The customer must send the product freight prepaid and insured. The product must be enclosed in an anti-static bag to protect it from damage caused by static electricity. Each bag must be completely sealed. Packing material must separate each unit returned and placed as a cushion between the unit(s) and the sides and top of the shipping container. WinSystems is not responsible for any damage to the product due to inadequate packaging or static electricity.