



Product Change Notice

Title	ADP-IO Revision Change
Affected Products	ADP-IO-USB-001, ADP-IO-ENET-001
PCN#	11-0007
Date	10/24/2011

Summary

WinSystems has revised the adapters to provide a more consistent and compact mounting scheme for USB and Ethernet connections. It is recommended that all future installations use the ADP-IO-USB-002 and/or ADP-IO-ENET-002.

(See attachment for mechanical specifications for both versions.)

Impact

Effective immediately, pertinent cable sets and development kits will include the ADP-IO-USB-002 and/or ADP-IO-ENET-002. If customers are using the ADP-IO-USB-001 or ADP-IO-ENET-001 in a design, please contact your Application Engineer for details. The ADP-IO-USB-001 and ADP-IO-USB-001 adapters will now be available on a built-to-order basis.

WinSystems Products Affected

The affected products are summarized in the table below where "xx" is the variant number:

Part Number	Description
ADP-IO-USB-001	2mm to (4) USB adapter – now Build-To-Order
ADP-IO-ENET-001	2mm to (2) Ethernet adapter – now Build-To-Order
CBL-SET-373-G-1	PCM-VDX-1-256 Cable set
CBL-SET-384-2	EBC-C384-x2 Cable set

Effective Date

The changes are effective immediately.

Recommended Action

Contact your designated Applications Engineer if you are using the ADP-IO-USB-001 and/or ADP-IO-ENET-001 models.

Last Time Buy Schedule

N/A

Last Time Ship Schedule

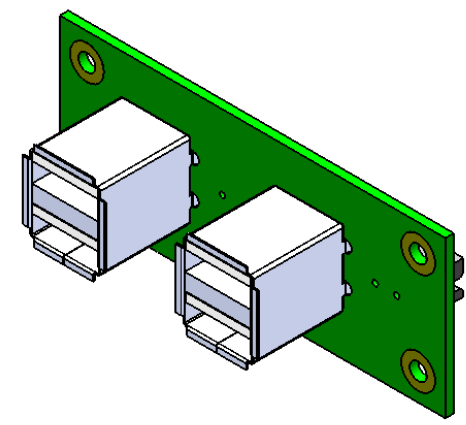
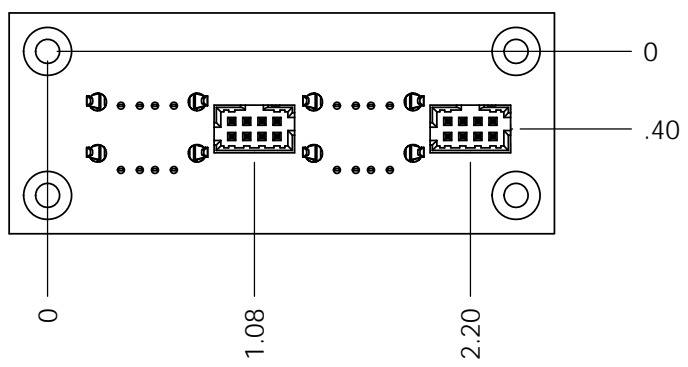
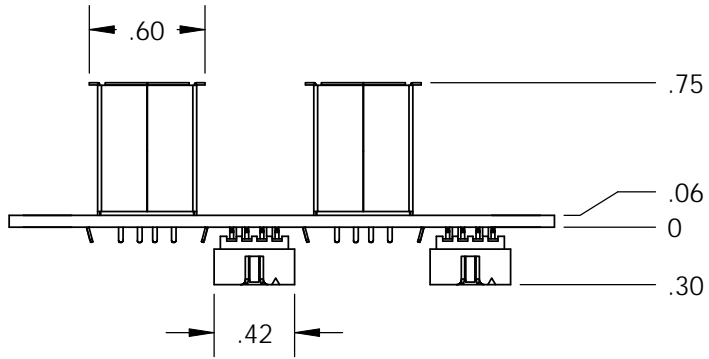
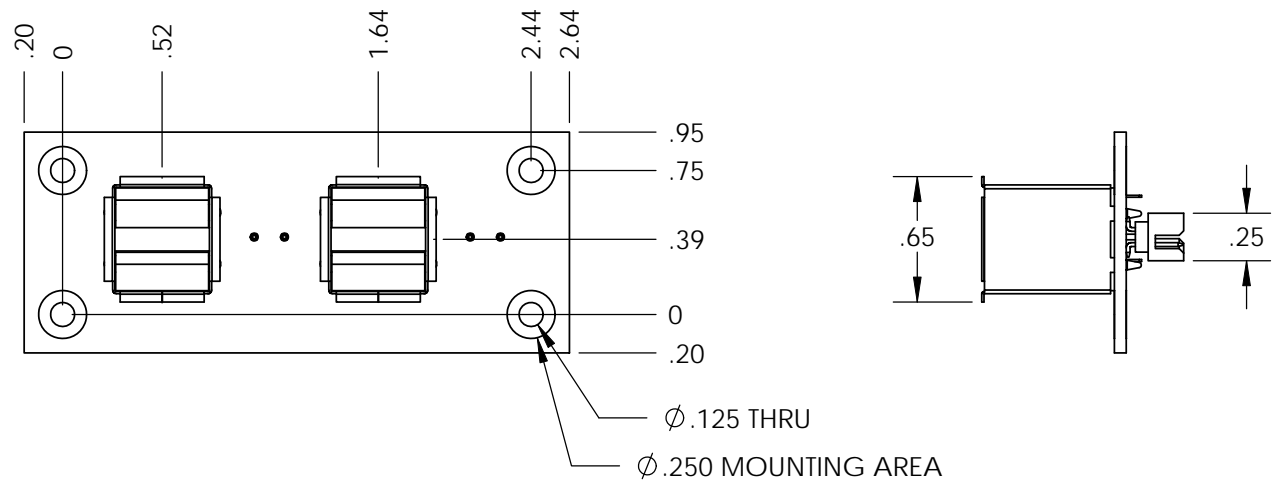
N/A

Special Considerations

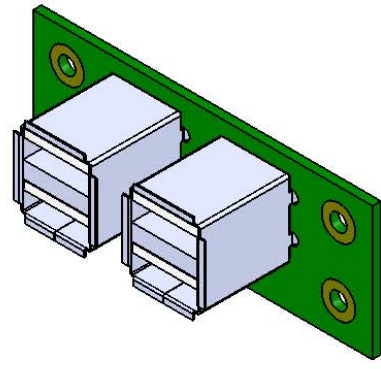
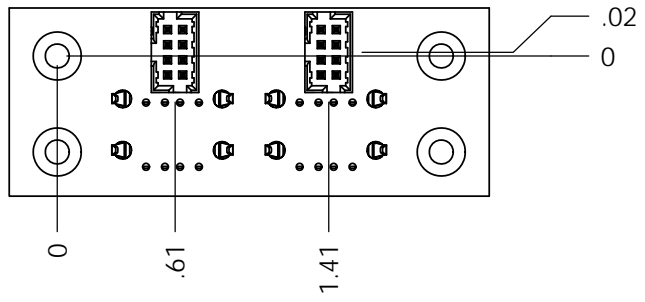
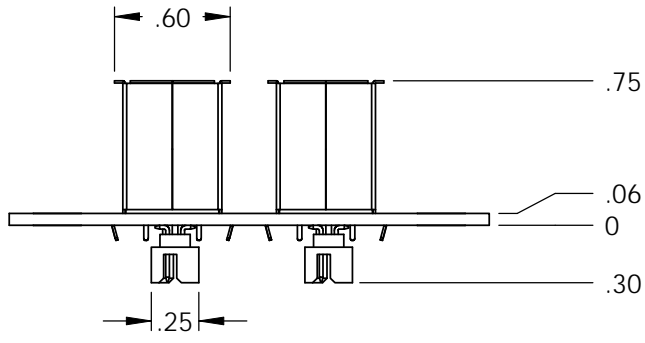
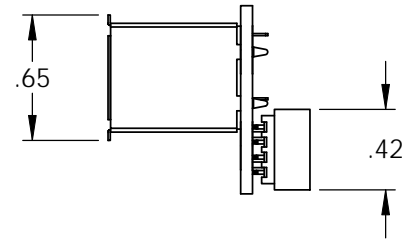
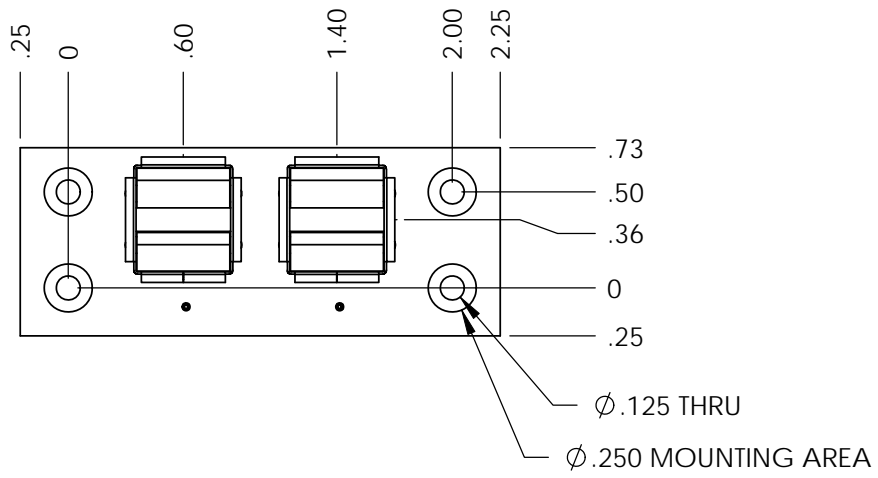
Contact your WinSystems' Applications Engineer with any questions concerning this change. Phone: 817-274-7553 or,

Jeff Childs
G.T. Hilliard
Kerry West

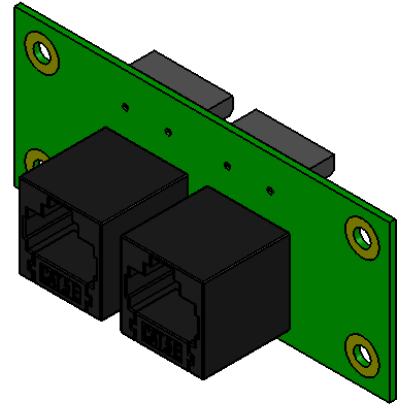
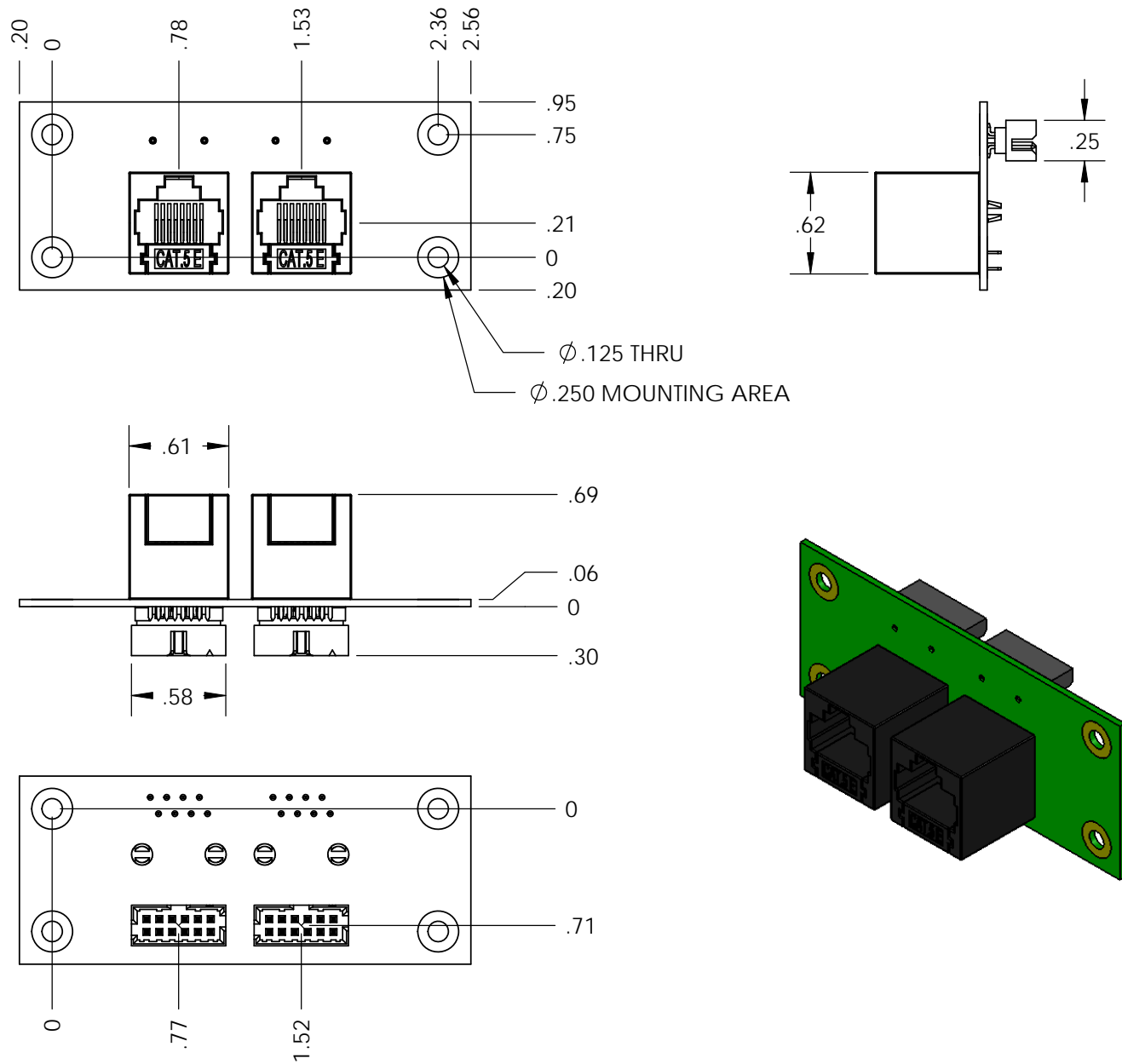
jeff@winsystems.com
george@winsystems.com
kerry@winsystems.com



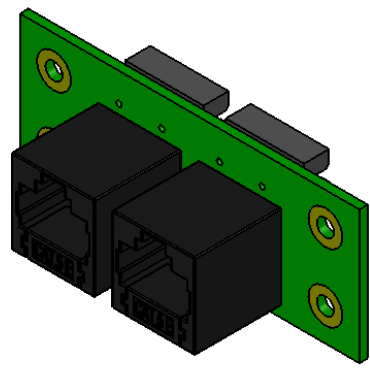
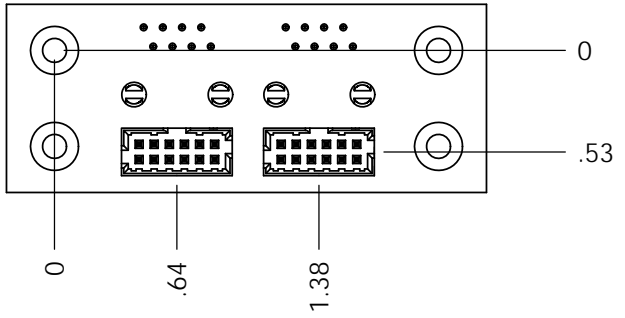
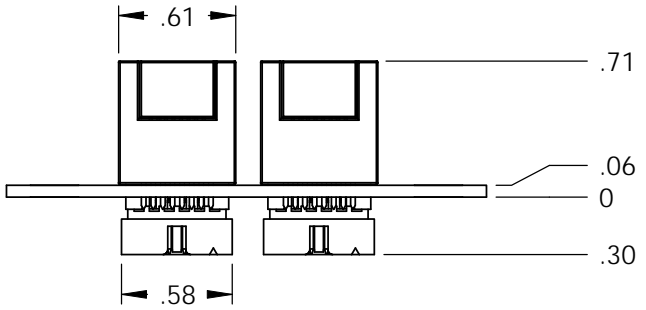
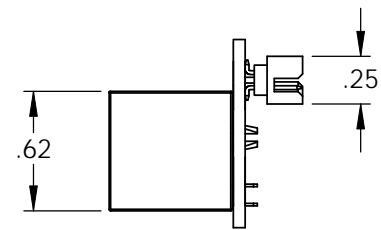
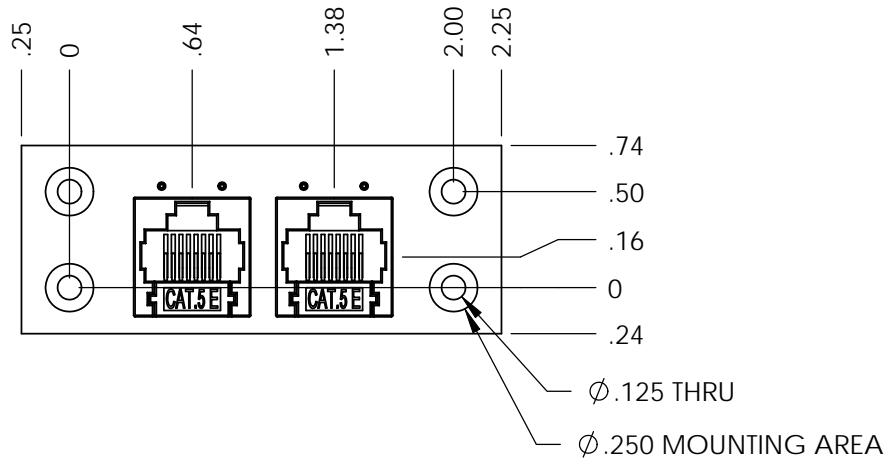
ADP-IO-USB-001
 ALL DIMENSIONS ARE IN INCHES AND FOR REFERENCES PURPOSES ONLY



ADP-IO-USB-002
 ALL DIMENSIONS ARE IN INCHES AND FOR REFERENCES PURPOSES ONLY



ADP-IO-ENET-001
 ALL DIMENSIONS ARE IN INCHES AND FOR REFERENCES PURPOSES ONLY



ADP-IO-ENET-002
 ALL DIMENSIONS ARE IN INCHES AND FOR REFERENCES PURPOSES ONLY