

### Features

- Wide input range: 10V to 50VDC
- Voltage output: +5V and +12V
- No minimum load required for regulation
- Outputs with short circuit and overload protection
- LEDs provide visual status of power
- Two Phoenix® terminal blocks for output power
- High efficiency design
- Fast transient response
- No fan or heat sink required
- -40° to +85°C operation supported
- Small size: 3.6 x 3.8 inches (90 x 96mm)
- PC/104 and PC/104-Plus version with ATX support available
- Custom OEM configurations available
- RoHS compliant



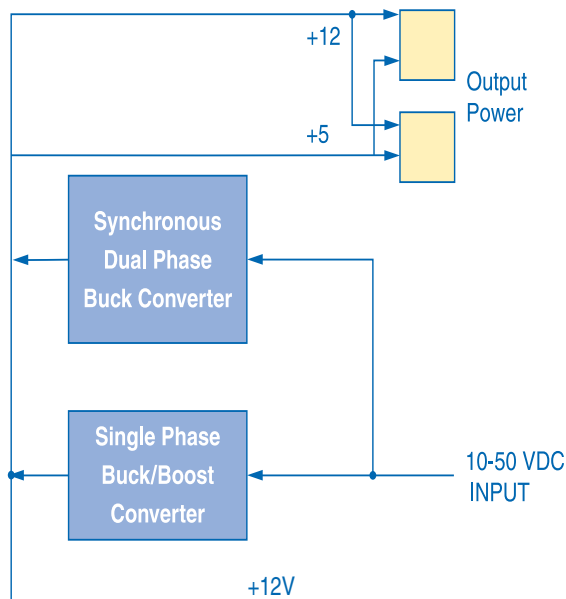
### Product Description

WinSystems' ISM-DC-AT512-P is a dual output, DC/DC power supply designed for small form factor embedded systems. It features a very wide voltage input range from 10 to 50 volts DC. This allows the unit to operate with 12, 24, or 48 volt battery or distributed DC power systems. It opens up a wide array of applications including transportation, Mil/COTS, security, solar-powered, and telecommunications.

The design has fast transient time and low ripple on the outputs. Each output is short circuit protected and current limited. A minimum load is not needed to bring the supply into regulation.

When power is applied to the board, two LEDs will illuminate providing a visual status that power is available for the +5V and +12V outputs. If one of these LEDs is not lit or is pulsing, then the respective supply voltage is not in regulation. A pulsating LED is an indication that the respective converter is in current limit.

The ISM-DC-AT512-P is designed to operate at extended temperatures without forced air cooling or heatsink. This maximizes reliability and reduces weight for the module and the system it powers.



ISM-DC-AT512-P Block Diagram

## ISM-DC-AT512-P: +5V and +12V DC/DC Power Supply

The board is populated with low-profile, soldered down, surface mount components which keep the overall height of the board low.

**Input Connector** - A Phoenix Combicon connector allows power to be easily and securely brought to the board with a quick way to remove it if necessary. The mating connector is shipped with each board.

**Output Connector** - There are two, four-pin Phoenix Contact terminal blocks at the edge of the board to connect to the output power.

**Fanless** - No fans or heatsinks are required to meet the extended operating temperature range of -40° to +85°C.

**Other Standard Configurations** - WinSystems offers this board in other models. The PCM-DC-AT500 card is a PC/104 single +5V power supply.

The PCM-DC-AT512-P is a PC/104 triple output supply providing +5V, +12V, and -12V.

The PPM-DC-ATX-P is a PC/104-*Plus* power supply that supports the ATX power convention. Output voltages are +5V, +3.3V, +12V, -12V, and +5V Standby.

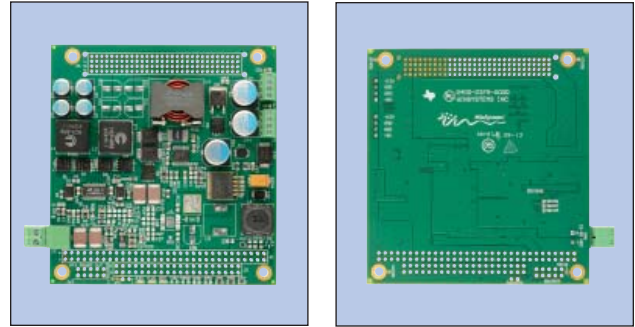


PPM-DC-ATX-P Power Supply

Please reference the specific data sheets for details on these DC/DC power supplies.

**Custom Configurations** - WinSystems offers additional ruggedized options and custom configurations for OEMs. Please contact an Applications Engineer to discuss your specific requirements.

WinSystems reserves the right to make changes to products and/or documentation without further notification. Product names of other companies may be trademarks of their respective companies.



Front and Back Picture of ISM-DC-AT512-P

### Technical Specifications

#### Electrical

##### Input

Voltage ( $V_{IN}$ ) 10 to 50VDC

##### Output

Voltage/current +5V @ 20A  
(at  $V_{IN} = +12V$ ) +12V @ 3A  
Load regulation 30 mV  
Line regulation 20 mV  
Ripple <150 mV

#### Connectors

Auxiliary In 2-pin, 3.81mm right angle header  
Auxiliary Out 8-pin, 3.81mm right angle header

#### Environmental

Operational from -40° to +85°C  
RoHS compliant

#### Mechanical

Dimensions 3.6 x 3.8 inches (90 x 96mm)  
Weight 3.03 oz. (85.90 gm)  
PC Board 0.078 inches, four layer FR4

### Ordering Information

Visit [www.WinSystems.com](http://www.WinSystems.com) for complete ordering details.

ISM-DC-AT512-P Dual output +5V and +12V DC/DC power supply  
PCM-DC-AT500 Single +5V output, PC/104 DC/DC power supply  
PCM-DC-AT512-P Triple output +5V and ±12V PC/104 DC/DC power supply  
PPM-DC-ATX-P PC/104-*Plus* ATX power supply

