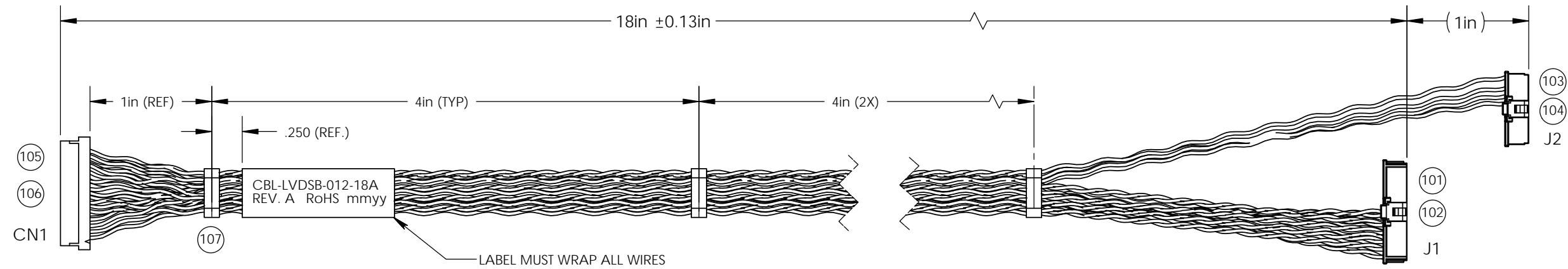


REVISION INFORMATION			
REV.	DESCRIPTION	DATE	NAME
A	NEW DRAWING	07/01/2013	V. TRAN

NOTE:

1. ASSEMBLY MUST COMPLY WITH SPECIFICATIONS OF MANUFACTURE AND ACCEPTANCE (RoHS M&A) OF RoHS COMPLIANCE CABLE AND CABLE ASSEMBLY FOR WINSYSTEMS INC.
2. FIVE TWISTS PER INCH MIN. FOR TWISTED PAIRS (ENTIRE CABLE LENGTH).
3. REFER TO CONNECTOR'S MANUFACTURER FOR PIN-1 LOCATION
4. SOLDERING PROCESS MAY BE REQUIRED TO MERGE 2 WIRES INTO 1



DET.	REF.	DESCRIPTION	MANUFACTURER	MFG. P/N	QTY.
101	J1	HOUSING, 1.00mm PITCH PICO-CLASP	MOLEX	501189-4010	1
102	J1	TERMINAL, PICO-CLASP	MOLEX	501193-2000	40
103	J2	HOUSING, 1.00mm PITCH PICO-CLASP	MOLEX	501330-1400	1
104	J2	TERMINAL, PICO-CLASP	MOLEX	501334-0000	14
105	CN1	HOUSING	HIROSE OR COMPATIBLE	DF19-20S-1C OR COMPATIBLE	1
106	CN1	CRIMP TERMINAL	HIROSE OR COMPATIBLE	DF19A-2830SCFA OR COMPATIBLE	20
107		WIRE TIE	PANDUIT OR EQUIVALENT	PLT1M-M OR EQUIVALENT	4
W1		WIRE, 28-30 AWG, WHITE/ORANGE STRIPE	UL1429 or MIL-STD EQ.	28-30 AWG, -40°C to 80°C / 150VDC (OR BETTER)	18"
W2		WIRE, 28-30 AWG, ORANGE	UL1429 or MIL-STD EQ.	28-30 AWG, -40°C to 80°C / 150VDC (OR BETTER)	18"
W3		WIRE, 28-30 AWG, WHITE/GREEN STRIPE	UL1429 or MIL-STD EQ.	28-30 AWG, -40°C to 80°C / 150VDC (OR BETTER)	18"
W4		WIRE, 28-30 AWG, GREEN	UL1429 or MIL-STD EQ.	28-30 AWG, -40°C to 80°C / 150VDC (OR BETTER)	18"
W5		WIRE, 28-30 AWG, WHITE/BLUE STRIPE	UL1429 or MIL-STD EQ.	28-30 AWG, -40°C to 80°C / 150VDC (OR BETTER)	18"
W6		WIRE, 28-30 AWG, BLUE	UL1429 or MIL-STD EQ.	28-30 AWG, -40°C to 80°C / 150VDC (OR BETTER)	18"
W7		WIRE, 28-30 AWG, WHITE/BROWN STRIPE	UL1429 or MIL-STD EQ.	28-30 AWG, -40°C to 80°C / 150VDC (OR BETTER)	36"
W8		WIRE, 28-30 AWG, BROWN	UL1429 or MIL-STD EQ.	28-30 AWG, -40°C to 80°C / 150VDC (OR BETTER)	36"
W9		WIRE, 28-30 AWG, RED	UL1429 or MIL-STD EQ.	28-30 AWG, -40°C to 80°C / 150VDC (OR BETTER)	90"
W10		WIRE, 28-30 AWG, BLACK	UL1429 or MIL-STD EQ.	28-30 AWG, -40°C to 80°C / 150VDC (OR BETTER)	126"

WIRE LIST					
J1 (Pin01-20)	J2	CN1	TWISTED PAIR	COLOR	SIGNAL
1		1		RED	VDD
7		2		RED	VDD
2		3		BLACK	GND
8		4		BLACK	GND
3		5	TWISTED	WHITE/ORANGE	IN0-
4		6		ORANGE	IN0+
14		7		BLACK	GND
5		8	TWISTED	WHITE/GREEN	IN1-
6		9		GREEN	IN1+
18		10		BLACK	GND
9		11	TWISTED	WHITE/BLUE	IN2-
10		12		BLUE	IN2+
20		13		BLACK	GND
15		14	TWISTED	WHITE/BROWN	CLK-
16		15		BROWN	CLK+
	4	16		BLACK	GND
	1	17	TWISTED	RED	VLED
	1	18		RED	VLED
	6	19		BLACK	GND
	7	20		RED	LED_PWM