

Datasheet

mSATA

3IE4 series

- SATA 6.0 Gb/s interface
- Exclusive iSLC FW architecture
- Followed JEDEC MO-300/MO-300B standard
- LDPC technology secures SSD reliability
- DRAM-less, high-level data integrity
- L³ architecture extends lifespan
- Excellent IOPS boosts system performance
- Built-in thermal sensor
- Support S.M.A.R.T, TRIM, NCQ and iData Guard



Introduction

Innodisk mSATA 3IE4 is SATA III 6.0 Gb/s flash based disk, which adopts latest Marvell NAND controller with Innodisk's exclusive L³ FW architecture. The upgraded L³ FW architecture, combining Innodisk signature 4K mapping algorithm L² FW architecture with powerful LDPC technology, makes 3IE4 series have outstanding high IOPS, better data integrity and extended lifespan through reducing the bad block number happening. Built-in thermal sensor, and iData Guard ensure data integrity and reliability of mSATA 3IE4 for industrial applications.

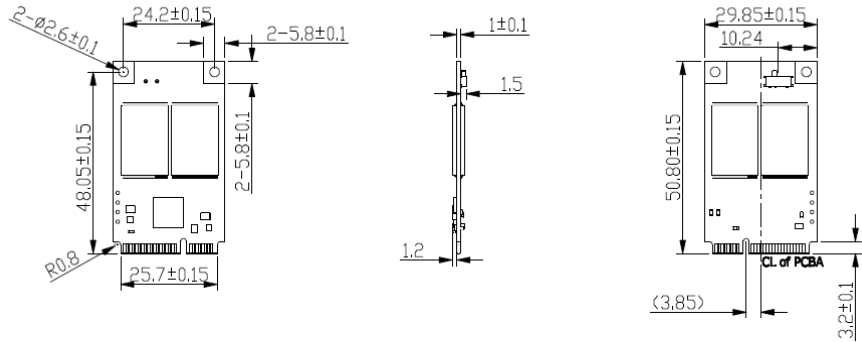
mSATA

3IE4 series

Contact us for more information about the mSATA 3IE4.

Innodisk is a service-driven provider of industrial embedded flash and DRAM storage products and technologies, with a focus on the industrial/embedded, aerospace and defense, and cloud computing industries.

Diagram



Specifications

| | |
|---|---|
| Interface | SATA III |
| Flash Type | iSLC |
| Capacity | 8GB~128GB |
| Max. Channels | 2 |
| Sequential R/W (MB/sec, max.)* | 530 / 365 MB/s |
| 4KB Random (QD32) R/W (IOPS)** | 31,000/31,000 |
| Max. Power Consumption | 0.6 W (3.3 V x 0.2 A) |
| Thermal Sensor | √ |
| External DRAM Buffer | - |
| H/W Write Protect | Optional |
| ATA Security | √ |
| S.M.A.R.T. | √ |
| Dimension (WxLxH) | 29.85 X 50.8 X 3.7 mm |
| Environment | Vibration: 20G @7~2000Hz Shock: 1500G @ 0.5ms Storage Temperature: -55°C ~ +95°C MTBF: 3 million hours |
| * Sequential performance based on CystalDiskMark 3.01 with file size 1000MB | |
| ** Random performance based on Iometer with Queue Depth 32 | |

Headquarters (Taiwan)

5F., No.237, Sec. 1, Datong Rd., Xizhi Dist., New Taipei City, Taiwan (R.O.C.)
Tel: +886-2-77033000
Email: sales@innodisk.com

Branch Offices:

USA
usasales@innodisk.com
+1-510-770-9421
Europe
esusales@innodisk.com
+31-40-3045-400
Japan
jpsales@innodisk.com
+81-3-6667-0161
China
sales_cn@innodisk.com
+86-755-21673689
www.innodisk.com

© 2017 Innodisk Corporation.
All right reserved. Specifications are subject to change without prior notice.

20210223

Ordering Information (Please refer to TPS for detail)

| Operation Temp. | 8GB | 16GB | 32GB | 64GB | 128GB | 256GB |
|--|--------------------|---------------------|---------------------|---------------------|----------------------|----------------------|
| Industrial Grade (-40°C ~ +85°C) | RS-INO-MSATA-I4-8G | RS-INO-MSATA-I4-16G | RS-INO-MSATA-I4-32G | RS-INO-MSATA-I4-64G | RS-INO-MSATA-I4-128G | RS-INO-MSATA-I4-256G |
| Tested and approved for use with WINSYSTEMS embedded computers | | | | | | |

